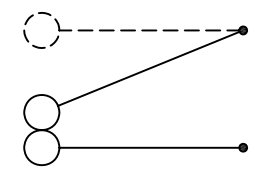
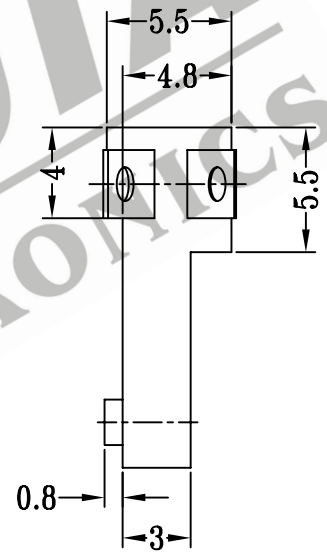
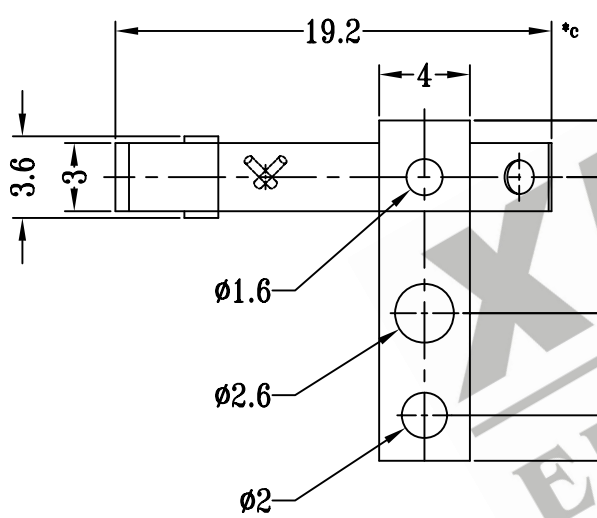
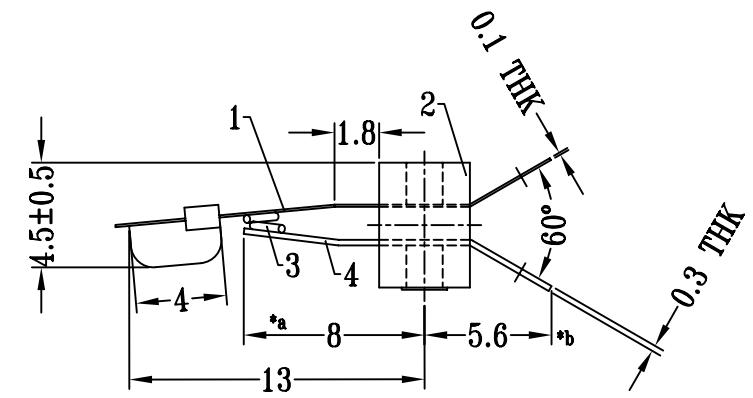


CAD FILE:



SCHEMATIC

注:带*表示关键尺寸(3个)

MODEL	SPRING PLATE
LF-006	G=GOLD
	N=NICKEL
	S=SILVER
	X=NIL

NO.	PARTS	MATERIALS	Q'TY	FINISH
8				
7				
6				
5				
4	SPRING PLATE B	PBS STRIP	1	NATURAL
3	CONTACT	PBS WIRE	2	Ag PLATED
2	CASE	POM	1	BLACK
1	SPRING PLATE A	PBS STRIP	1	NATURAL

TOLERANCE UNLESS SPECIFIED		SHENZHEN XIEJIA ELECTRONICS CO.,LTD.			
WITHIN: 1.5±0.1mm OVER: 1.5±0.2mm		ISSUE	DATE	DESCRIPTIONS OF REVISION	
TITLE: LEAF SWITCH		UNIT: mm		DRWG NO.: XJ-DR-LF006-00	
MODEL: LF-006		SCALE: 3:1		DWN.	ZHOUYU
ALL MATERIALS MUST BE COMPLIANT TO ROHS				CHK'D	FANGYING
				APPD.	KANGXINAN